











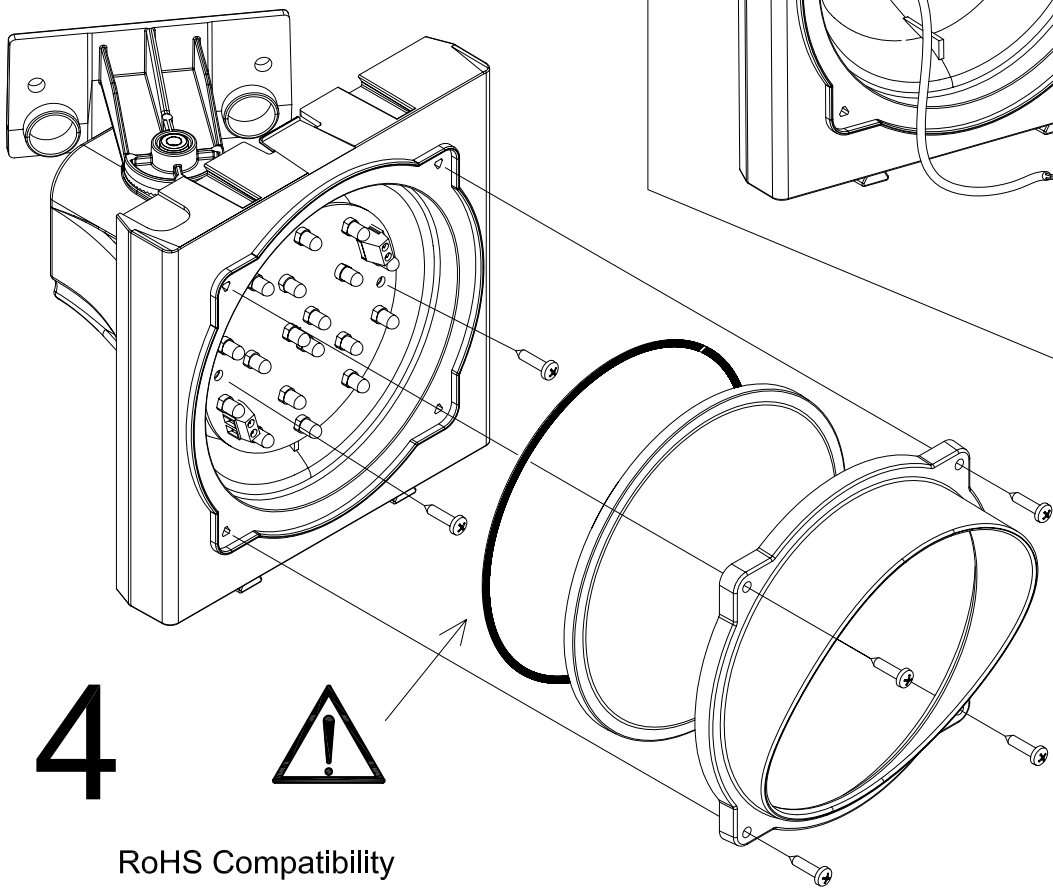
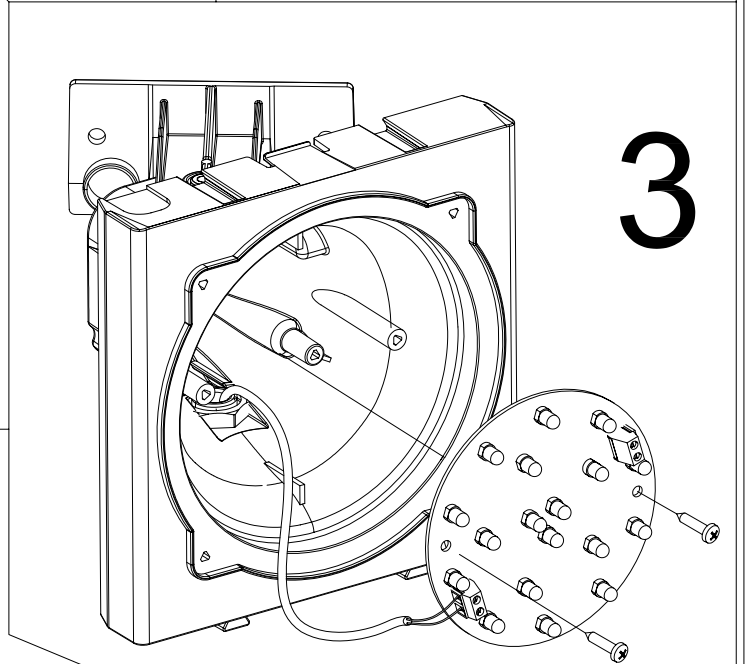
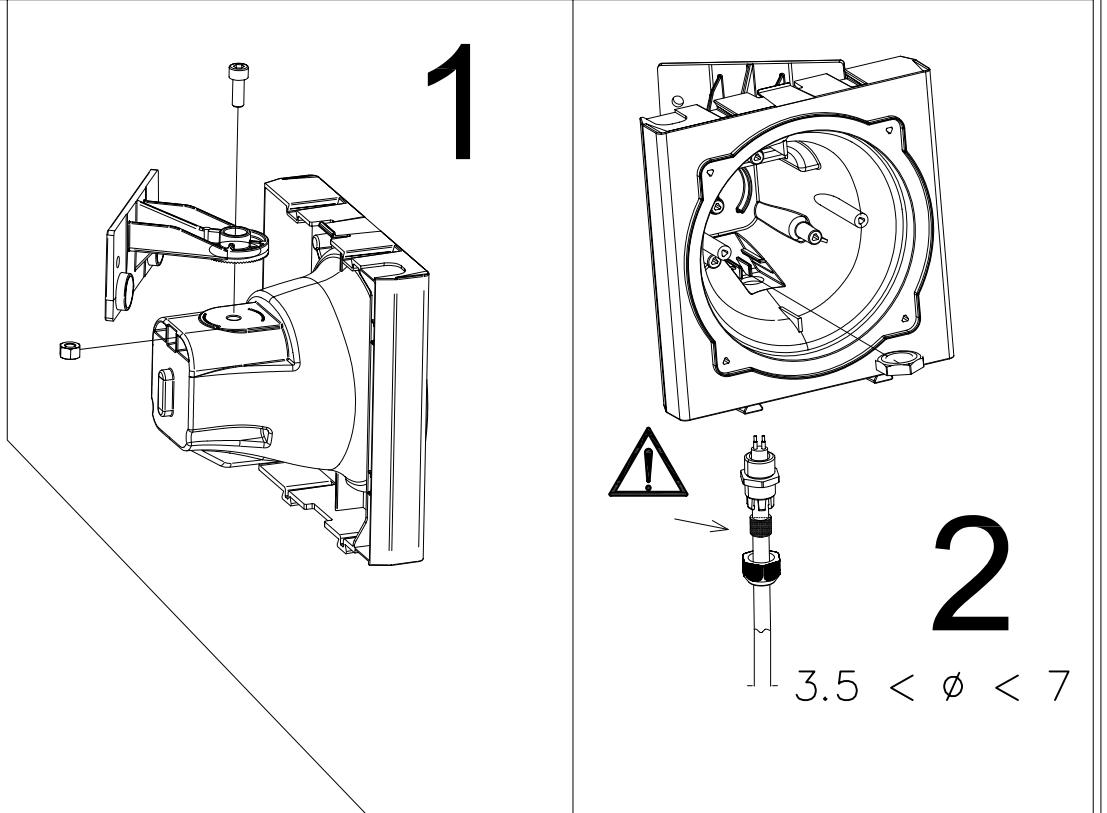


| | Q.tà |
|---|------|
|  ARSFS | 1 |
|  X61A100 | 1 |
|  X61A569 | 1 |
|  ARSFCP | 2 |
|  X61A1399 X61A1400 X61A1405 | 1 |
|  X61A1244 | 1 |
|  X61A1319 | 1 |
|  X61A41 | 6 |
|  ARSFP | 1 |
|  X61A17 | 1 |
|  ARSFG ARSFR ARSFV | 1 |
|  ARSFCM | 1 |

18 ÷ 38Vdc
12 ÷ 24Vac
max 1.5W



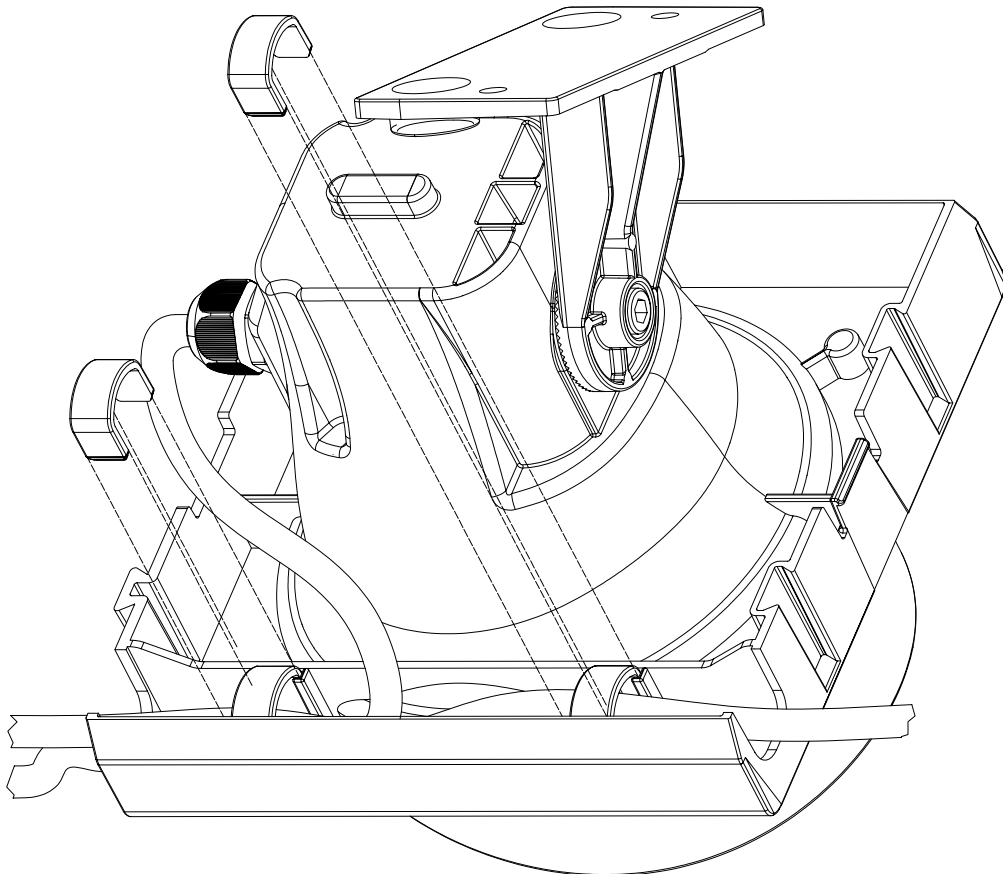
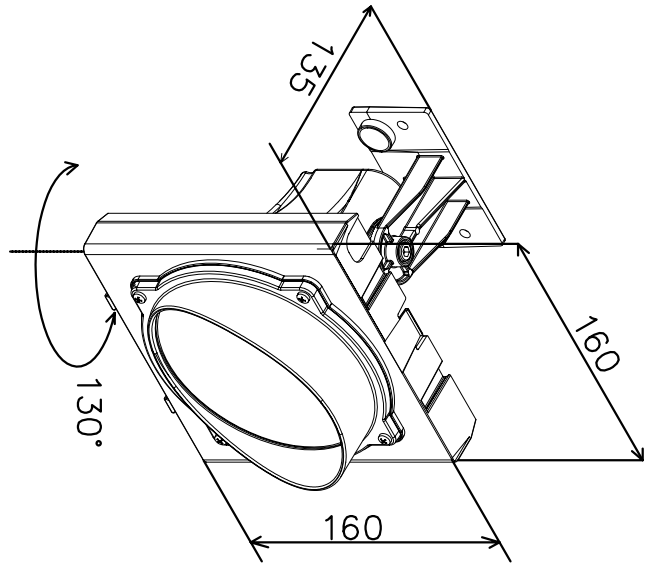
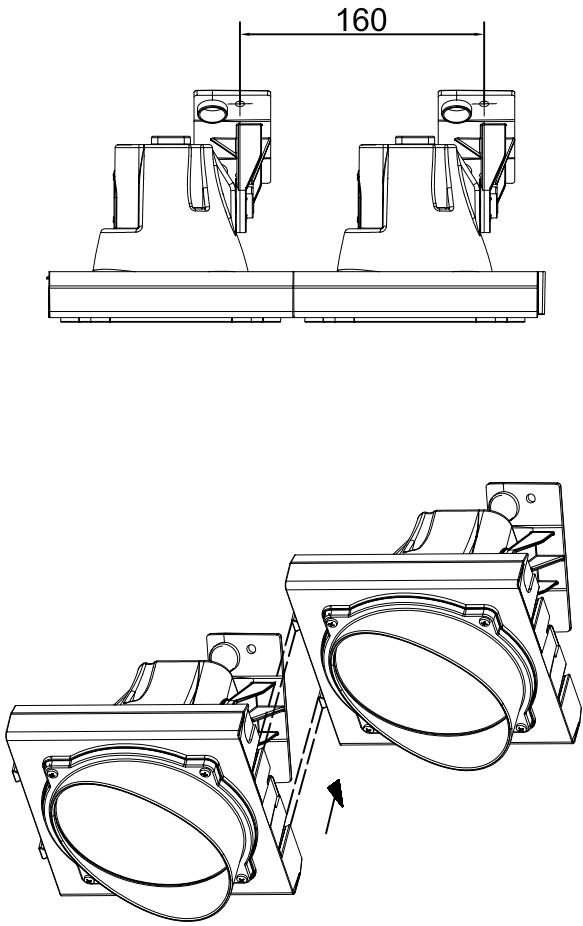
COD. ISTR. X61A1460 - REV 0 del 09/08

4

RoHS Compatibility

CE
MADE IN ITALY

MADE IN ITALY



NON USARE LAMPADE AD INCANDESCENZA
DO NOT USE LIGHT BULBS